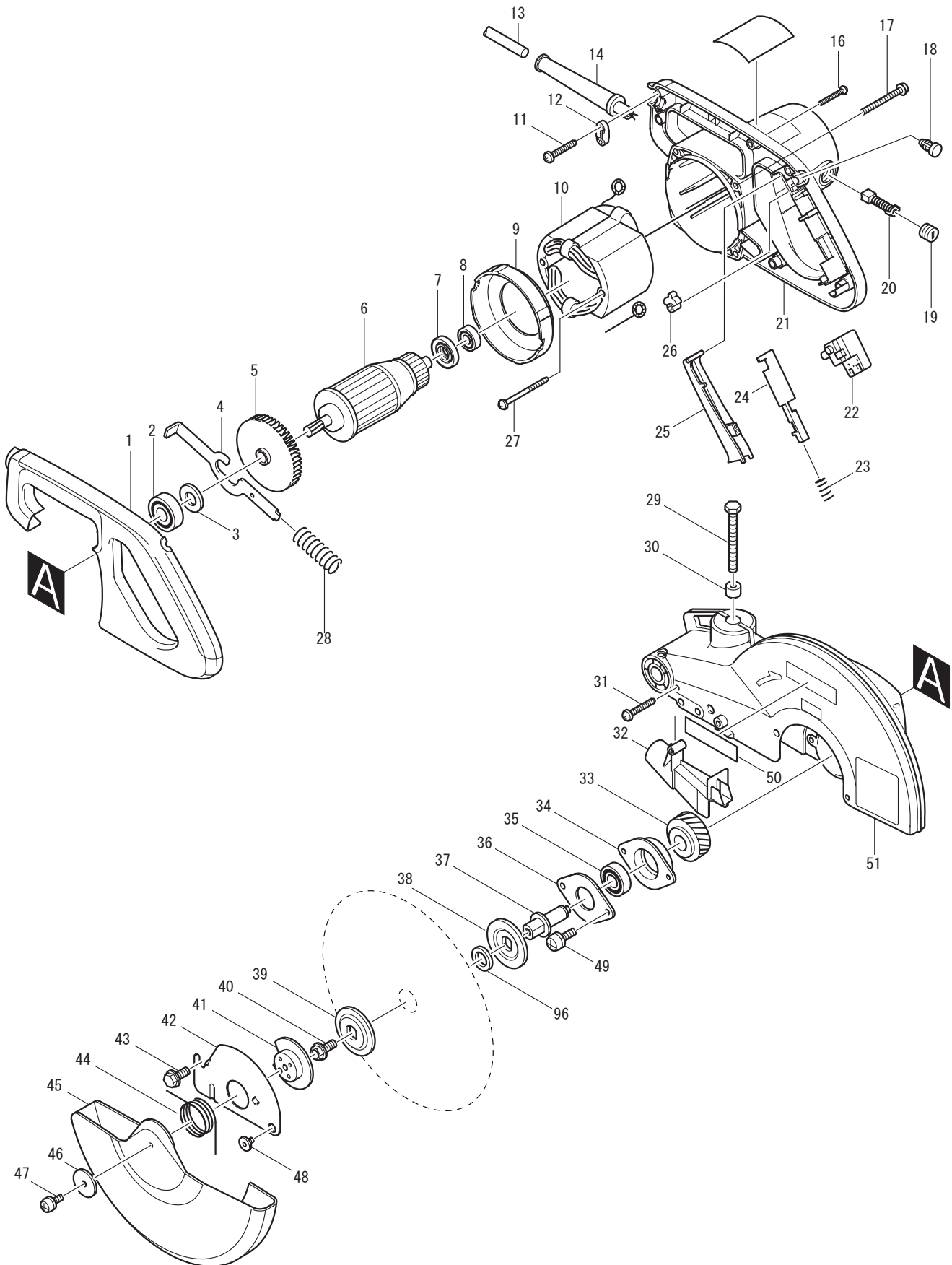
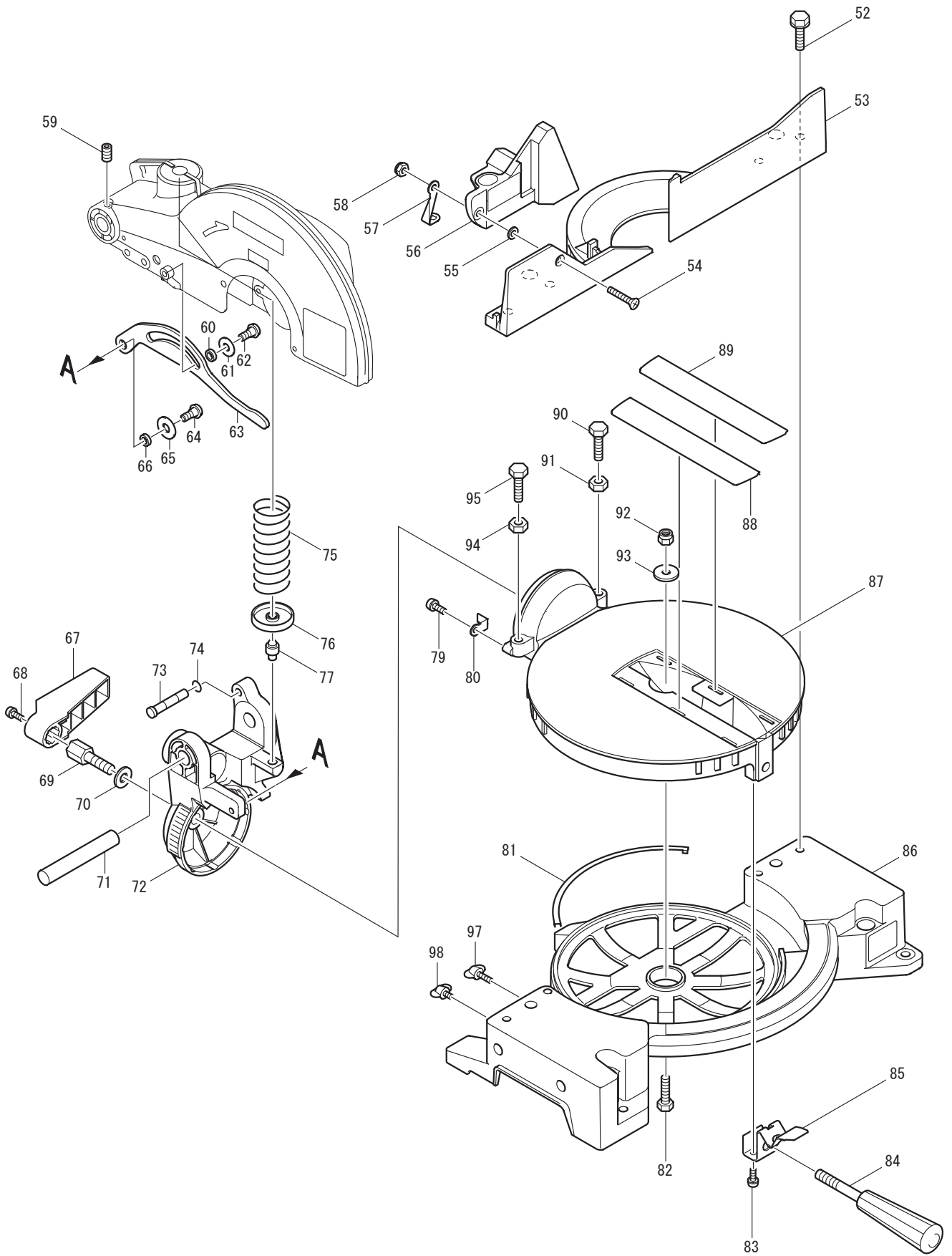




03 - 2010
LS1040
10" COMPOUND MITRE SAW
With BRAKE





PARTS LIST

Item No	Type	Part No	Description	Qty	Unit
001	2	458787-2	HANDLE COVER	1	PC.
002		211206-7	BALL BEARING 6202LLB	1	PC.
003	2	267280-3	FLAT WASHER 15 - Ø19mm (7/8")	1	PC.
004		343641-2	SHAFT LOCK	1	PC.
005		241909-9	FAN 80	1	PC.
006		516716-2	ARMATURE ASS'Y 115V	1	PC.
006	INC.		Item No. 2,3,5,7,8		
007		681640-9	INSULATION WASHER	1	PC.
008		211061-7	BALL BEARING 6000LLB	1	PC.
009	2	416442-2	* BAFFLE PLATE	1	PC.
010	2	526066-7	* FIELD ASS'Y 115V	1	PC.
010	2	INC. 654502-4	* CONNECTOR P-2	1	PC.
010	2	INC. 654020-2	* RING TERMINAL	1	PC.
011	3	265995-6	TAPPING SCREW 4X18	2	PC.
012	2	687124-5	STRAIN RELIEF	1	PC.
013		664463-0	CORD W/PLUG 2P-14-2.5M, SJ	1	PC.
014		682505-8	CORD GUARD 10-90	1	PC.
015	2	855H16-6	NAME PLATE LS1040 (RPM 5100)	1	PC.
016	3	265995-6	TAPPING SCREW 4X18	5	PC.
017		911383-2	PAN HEAD SCREW M6X60	4	PC.
018	2	417113-4	SWITCH BUTTON	1	PC.
019		643650-4	BRUSH HOLDER CAP 6.5-13.5	2	PC.
020	2	194986-9	CARBON BRUSH CB-154 2PC/SET W/ ORIGIN	1	SET
020	3	181047-4	CARBON BRUSH CB-154 2PC/SET W/ ORIGIN	1	SET
021	2	153793-9	* MOTOR HOUSING COMPLETE	1	PC.
021	2	INC. 817881-3	* CAUTION LABEL	1	PC.
021	2-2	INC. 643536-2	* BRUSH HOLDER 6.5-13.5	2	PC.
021	3	140H37-4	* MOTOR HOUSING COMPLETE	1	PC.
021	3	INC. 818M04-4	* CAUTION LABEL	1	PC.
021	3	INC. 818L78-9	* CAUTION LABEL	1	PC.
021	3	INC. 643536-2	* BRUSH HOLDER 6.5-13.5	2	PC.
022		651923-1	SWITCH TG70B	1	PC.
023		231457-6	COMPRESSION SPRING 3	1	PC.
024		416000-4	LOCK OFF LEVER	1	PC.
025	2	459017-4	SWITCH LEVER	1	PC.
026		414546-4	CAM	1	PC.
027	2	266352-1	TAPPING SCREW 5X65	2	PC.
028		231297-2	COMPRESSION SPRING 9	1	PC.

Item No	Type	Part No	Description	Qty	Unit
029		251667-9	HEX. BOLT M8X75	1	PC.
030		262511-5	RUBBER SLEEVE 6	1	PC.
031	3	265995-6	TAPPING SCREW 4X18	1	PC.
032	2	453695-2	GUIDE COVER	1	PC.
033		226465-0	HELICAL GEAR 42	1	PC.
034		316821-3	BEARING BOX	1	PC.
035		211256-2	BALL BEARING 6203LLB	1	PC.
036		285685-5	BEARING RETAINER 64	1	PC.
037		322865-3	SPINDLE	1	PC.
038		224333-1	FLANGE 53	1	PC.
039		224333-1	FLANGE 53	1	PC.
040		265355-2	HEX. FLANGE HEAD BOLT M8X20	1	PC.
041		343639-9	CENTER PLATE	1	PC.
042		344380-7	CENTER COVER	1	PC.
043		265324-3	HEX. FLANGE HEAD BOLT M8X12	1	PC.
044		231593-8	TORSION SPRING 36	1	PC.
045		416003-8	SAFETY COVER	1	PC.
046		267136-0	FLAT WASHER 5	1	PC.
047	2	922211-6	HEX SOCKET HEAD SCREW M5X12	1	PC.
048		265985-9	HEX.SOCKET HEAD BOLT M6	1	PC.
049		911223-4	PAN HEAD SCREW M5X16	2	PC.
051	6	140H34-0	* BLADE CASE COM	1	SET
051	6	INC. 818M00-2	* CAUTION LABEL	1	PC.
051	6	INC. 816847-0	* OPERATIONAL INDICATION LABEL	1	PC.
051	6	INC. 263005-3	* RUBBER PIN 6	1	PC.
052	2	265488-3	HEX. BOLT M8X30	4	PC.
053	2	318847-1	GUIDE RULE	1	PC.
054		912342-9	COUNTERSUNK HEAD SCREW M6X25	1	PC.
055		253715-0	FLAT WASHER 6	1	PC.
056		150663-3	SUB FENCE COMPLETE (Silver -->Yellowish Gray)	1	PC.
056	INC.	810858-7	CAUTION LABEL	1	PC.
057		344476-4	SUB FENCE PLATE	1	PC.
058		252014-7	HEX. LOCK NUT M6-10	1	PC.
059		251961-9	H.S.SET SCREW(FLAT POINT)M6X10	1	PC.
060		257162-7	WASHER 7	1	PC.
061		253823-7	FLAT WASHER 7	1	PC.
062		265984-1	HEX.SOCKET BUTTON HEAD BOLT M6	1	PC.
063		344377-6	LINK PLATE	1	PC.
064		265984-1	HEX.SOCKET BUTTON HEAD BOLT M6	1	PC.

Item No	Type	Part No	Description	Qty	Unit
065		253823-7	FLAT WASHER 7	1	PC.
066		257162-7	WASHER 7	1	PC.
067		416006-2	LEVER 100	1	PC.
068		911113-1	PAN HEAD SCREW M4X10	1	PC.
069		265437-0	HEX. BOLT M10	1	PC.
070		253024-7	FLAT WASHER 10	1	PC.
071		256836-7	ROD 16	1	PC.
072	3	154463-3	* ARM COMPLETE	1	PC.
072	3	INC. 816310-3	* SCALE LABEL	1	PC.
073		322317-4	STOPPER PIN	1	PC.
074		213021-5	O RING 5	1	PC.
075		233152-4	COMPRESSION SPRING 28	1	PC.
076	2	344464-1	* SPRING HOLDER	1	PC.
077		256280-8	* PIN 8	1	PC.
079		911113-1	PAN HEAD SCREW M4X10	1	PC.
080		344385-7	POINTER	1	PC.
081		343799-7	SLIDE PLATE	3	PC.
082		921452-1	HEX. BOLT M8X30	1	PC.
083		911213-7	PAN HEAD SCREW M5X12	2	PC.
084		273495-2	GRIP 32	1	PC.
085		344381-5	KNOCK SPRING	1	PC.
086	2	140H29-3	BASE COMPLETE	1	PC.
086	2	INC. 816311-1	MITER SCALE PLATE	1	PC.
086	2	INC. 813L22-1	CAUTION LABEL	2	PC.
086	2	INC. 817838-4	CAUTION LABEL	1	PC.
087		316824-7	TURN BASE (Silver --> Yellowish gray)	1	PC.
088		416001-2	KERF BOARD	1	PC.
089		416001-2	KERF BOARD	1	PC.
090		921452-1	HEX. BOLT M8X30	1	PC.
091		931402-8	HEX. NUT M8	1	PC.
092		252105-4	HEX. LOCK NUT M8-13	1	PC.
093	2	253762-1	FLAT WASHER 8	1	PC.
094		931402-8	HEX. NUT M8	1	PC.
095		921452-1	HEX. BOLT M8X30	1	PC.
100		687080-9	FIELD CLAMP	2	PC.
101		654098-5	RECEPTACLE	4	PC.
A02		762001-3	TRIANGULAR RULE	1	PC.
A03		782212-4	SOCKET WRENCH 13	1	PC.
A04	2	122852-0	DUST BAG ASS'Y	1	PC.

Item No	Type	Part No	Description	Qty	Unit
A04	2	INC. 410602-8	FASTENER	1	PC.
A05	2	193471-9	SUB PLATE ASS'Y	1	PC.
A05	2	INC. 252148-6	SQUARE NUT M8	1	PC.
A05	2	INC. 921431-9	HEX. BOLT M8X20	1	PC.
A06		122536-0	WISE ASS'Y	1	PC.
A06		INC. 343651-9	WISE PLATE	1	PC.
A06		INC. 253804-1	FLAT WASHER 6	1	PC.
A06		INC. 251370-2	+ PAN HEAD SCREW I5	1	PC.
A06		INC. 316938-2	WISE ARM	1	PC.
A06		INC. 322313-2	WISE ROD	1	PC.
A06		INC. 271286-5	KNOB 40	1	PC.
A06		INC. 251887-5	SCREW M6X10	1	PC.
A07		192622-1	CROWN MOLDING STOPPER SET	1	PC.
A08		256812-1	EXTENSION ROD	2	PC.
A09		192621-3	HOLDER SET (2PCS)	1	PC.
A09		INC. 251896-4	SCREW M5X20	2	PC.
A10		122472-0	SET PLATE ASSY	1	PC.
A10		INC. 251887-5	SCREW M6X10	1	PC.
A12		122536-0	VERTICAL WISE ASSY (YELLOWISH GRAY)	1	PC.
A13		122563-7	HORIZONTAL WISE ASSY	1	PC.
A13		INC. 342967-9	SET PLATE	1	PC.
A13		INC. 911317-5	P.H. SCREW M6X14	1	PC.
A13		INC. 911216-1	P.H. SCREW M5X14	1	PC.
A13		INC. 321490-7	RELEASE NUT R	1	PC.
A13		INC. 341912-1	NUT HOLDER	1	PC.
A13		INC. 321491-5	RELEASE NUT L	1	PC.
A13		INC. 315891-9	VICE PLATE	1	PC.
A13		INC. 271275-0	KNOB 45	1	PC.
A13		INC. 253744-3	FLAT WASHER 12	1	PC.
A13		INC. 253047-5	FLAT WASHER 6	1	PC.
A13		INC. 341911-3	PROTECTOR	2	PC.
A14	1	194061-1	BENCHTOP MITER SAW STAND B (Parts Breakdown Available)	1	PC.
A14	2	198688-9	BENCHTOP MITER SAW STAND B	1	PC.
A15		721434-1	10" C.T.SAW BLADE 32T	1	PC.
C01	2	879789-9	CARTON F/LS1040	1	PC.

SERVICE CHANGES: LS1040

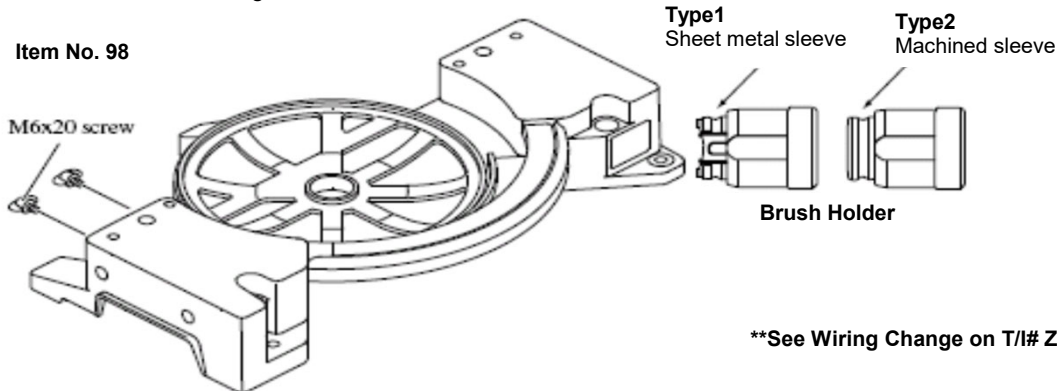
1. Changes on Baffle Plate, Field Assy and Motor Housing Complete.

(T/I#Z5642) (T/I#C7740) (T/I#71911)

Item No.	Description	Type 1	Type 2	Type 3	Type 4
9	Baffle Plate	416002-0		416442-2	
10	Field Assy 115V	596136-6 (or 636136-5)		526066-7	
21	Motor Housing Com	159916-7		153793-9	
	Brush holder (component of Item 21)	643660-1		643653-8	
98	Screw M6X20	-----		265708-5	-----

Item No. 9 - 21 are completely interchangeable as a set.

Item No. 98 is interchangeable as itself.



2. Changes on Blade Case Complete / Set

(T/I#70207) (T/I#78401) (T/I#81564) (T/I#91038) (T/I#C5138)

Item No.	Description	Type 1	Type 2	Type 3	Type 4	Type 5	Type 6
51	Blade Case	151461-8 (Complete)		188325-3 (Set)		140649-5 (Complete)	140H34-0 (Complete)
	color of blade case	Silver	Yellowish gray				
	Makita Logo Label (component of Item 51)	-----		819214-8			-----
	Caution /Indication label	817667-5 (caution label)			816847-0 (indication label)		
	Caution	817874-0				891310-4	818M00-2
	Rubber Pin 6				263005-3		
50	Makita Mark	819064-1		-----			

3. Changes on Arm Complete

(T/I#70207) (T/I#70926)

Item No.	Description	Type 1	Type 2	Type 3
72	Arm Complete	150664-1		154463-3
	Color	Silver	Yellowish gray	

4. Changes on Style of Spring Holder and Pin 8

(T/I#55908)

Item No.	Description	Type 1	Type 2
76	Spring Holder	343638-1	344464-1
77	Pin 8	256199-1	256280-8
78	Sleeve 8	257681-3	-----

Above parts are completely interchangeable as a set.

